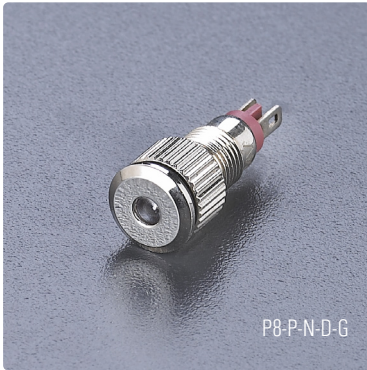


Vandal Resistant Pilot Lamp Φ 8mm 12mm

Anti-Vandal IK09/ Sealed IP65

Variety Of Colors

Brass



Order Code

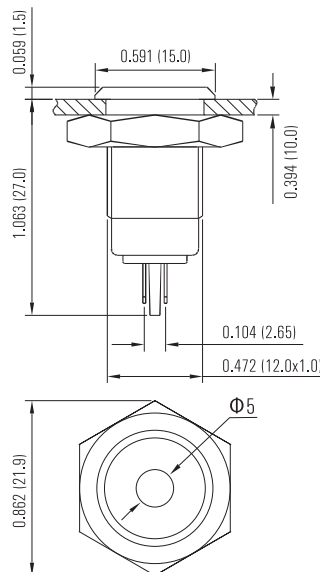
Series	Actuator Terminal	Material	Illuminated Options	Color	Color Voltage
<input type="checkbox"/> PB (8mm) <input type="checkbox"/> P12 (12mm)	<input type="checkbox"/> P- Pin (1.8x0.4)	<input type="checkbox"/> N- Nickel plated brass	<input type="checkbox"/> D- Dot	<input type="checkbox"/> W- White <input type="checkbox"/> Y- Yellow <input type="checkbox"/> B- Blue <input type="checkbox"/> G- Green <input type="checkbox"/> R- Red <input type="checkbox"/> O- Orange	<input type="checkbox"/> 6V <input type="checkbox"/> 12V <input type="checkbox"/> 24V

Technical Data

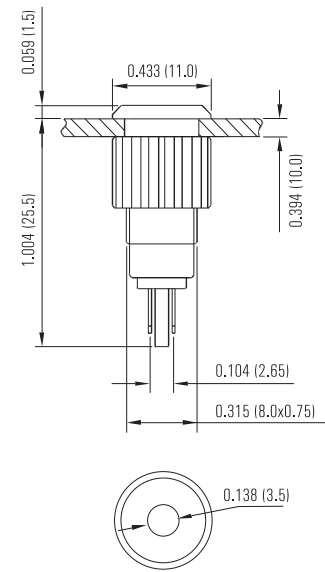
Type	P8	P12
Terminal	Pin(1.8X0.4mm)	
Dielectric Strength	1100VAC	
Operation Temp.	-20°C ~ +55°C	
Torque	5-14Nm	
Protection	IK10	
Material	PC	
Lampshade	Nickel Plated Brass	
Body	PBT	
Type	Indicator	
Voltage	6V/ 12V/ 24V	
Color	R G Y O B W	
Life	Approx.40,000 hours	

Note:Additional voltage available upon request. Please consult your salesperson.

Dimension



P12



P8