

Anti vandal switch \varnothing 12mm

Applications / Markets



Yacht Controls



Security Devices



Industrial Controls



Kiosks



Electrical Housewares



Medical Equipment



SPECIFICATIONS

Electrical Rating: 2A36VDC
Mechanical Life: 200,000 Cycles
Electrical Life: 50,000 Cycles
Contact Resistance: 50m Ω Max.
Insulation Resistance: 1000 M Ω Min.
Dielectric Strength: 2,000VAC
Operating/Storage Temperature: -20°C to 55°C
Travel: 1.50mm
Moisture Protection: IP65
Actuation Force: 4N
Panel Thickness: 1-11mm
Mounting Nut Torque: 5-14Nm

FEATURES & BENEFITS

- 12mm diameter panel cutout
- Variety LED option
- Dot, ring illumination available
- Multiple actuator options
- Pilot indicator option
- IP65 rated,
- Momentary Off-(On), Latching Off-On

PART NUMBER CONFIGURATOR

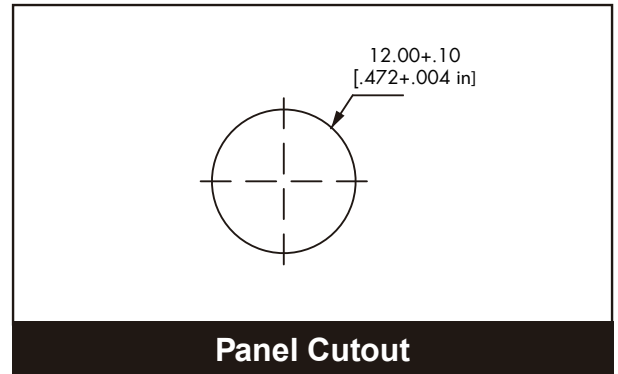
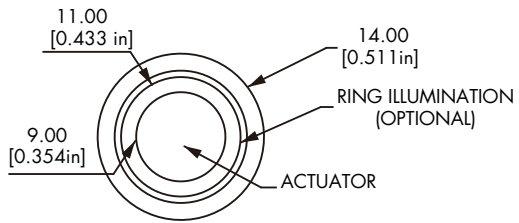
Series	Actuator Options	Terminal Options	Function Options	Rating Options	Material Options	Illumination Style Options	Led-Color Options	Illumination Voltage Options
L12	<input type="checkbox"/> F - Flat <input type="checkbox"/> H - High	<input type="checkbox"/> Solder Lug	<input type="checkbox"/> M - Momentary Off-(On) <input type="checkbox"/> Z - Latching Off - On	<input type="checkbox"/> NONE - Max. 2A36VDC	<input type="checkbox"/> S - Stainless Steel <input type="checkbox"/> B - Nickel plated brass	<input type="checkbox"/> NONE - Non-Illuminated <input type="checkbox"/> D - Dot Illumination <input type="checkbox"/> R - Ring Illumination	<input type="checkbox"/> NONE - Non-Illuminated <input type="checkbox"/> W - White <input type="checkbox"/> R - Red <input type="checkbox"/> O - Orange <input type="checkbox"/> G - Green <input type="checkbox"/> B - Blue <input type="checkbox"/> Y - Yellow	<input type="checkbox"/> NONE - Base Voltage* 3.3V 6V 12V 24V

NOTES:

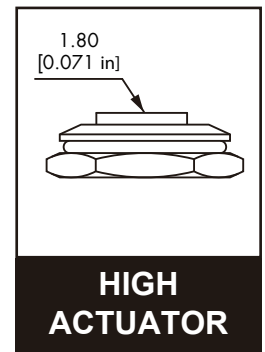
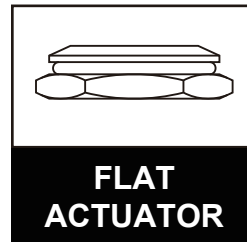
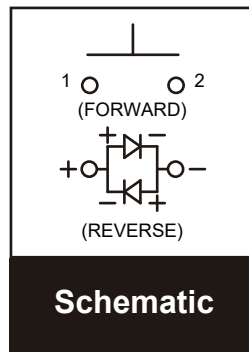
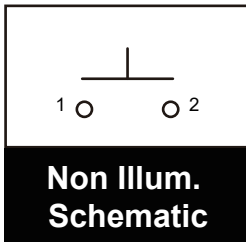
* Base voltage on LEDs:
 1.8V @ 20mA for Red, Yellow and Orange LED colors
 2.8V @ 20mA for Blue, Green and White LED colors

Specifications subject to change without notice

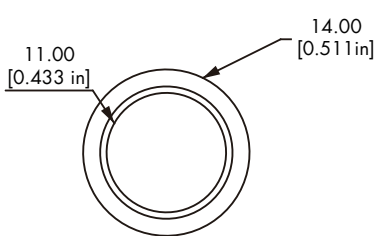
Anti vandal switch $\phi 12\text{mm}$



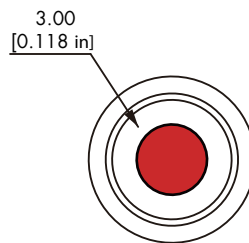
Schematic & Actuator



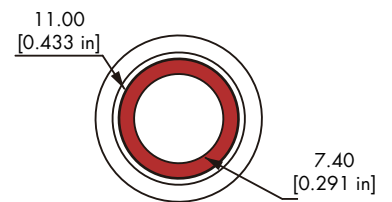
Illumination Options



Non-illuminated



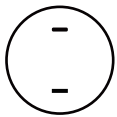
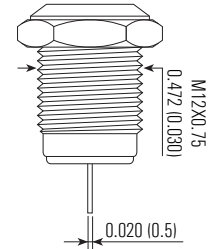
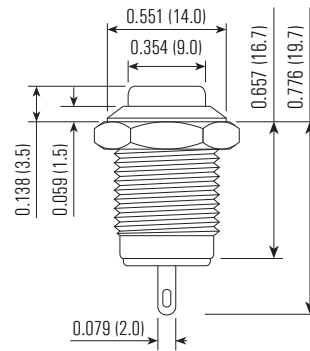
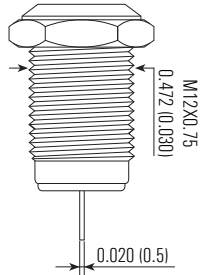
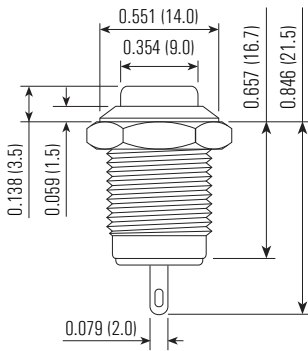
Dot-illuminated



Ring-illuminated

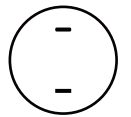
Anti vandal switch $\varnothing 12\text{mm}$

Non-illuminated

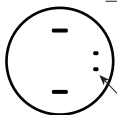
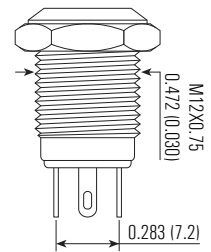
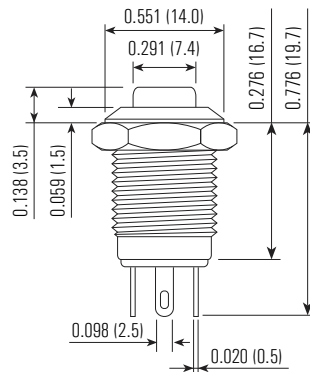
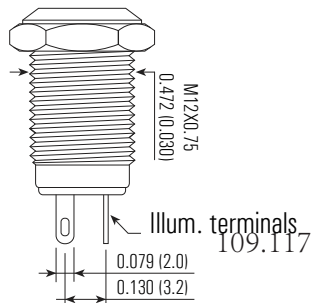
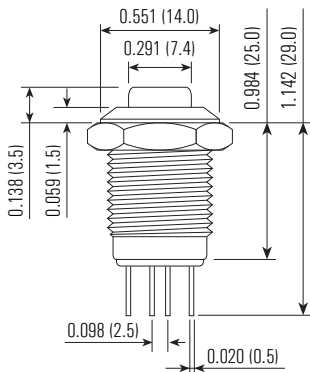


Latching

Momentary

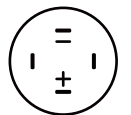


Ring-illuminated

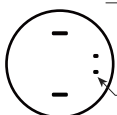
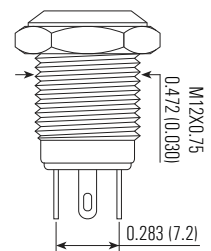
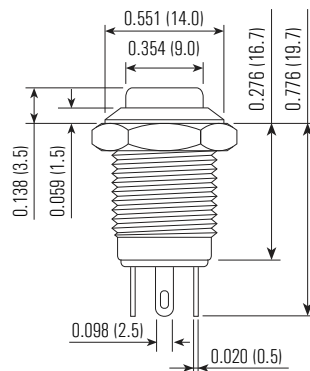
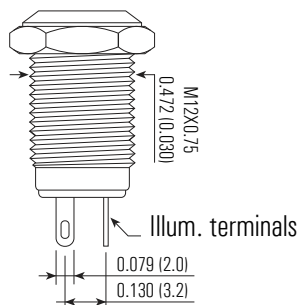
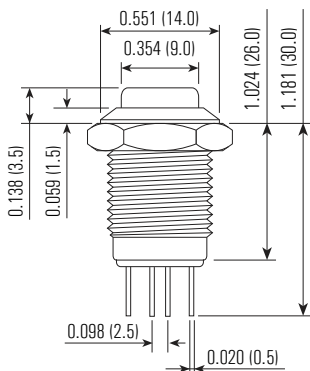


Latching
Illum. terminals

Momentary



Dot-illuminated



Latching
Illum. terminals

Momentary

